



# Hekla



## Instruction

Istruzioni Di Montaggio • Assembly Instructions • Instructions De Montage • Instrucciones De Montaje



# Components

---



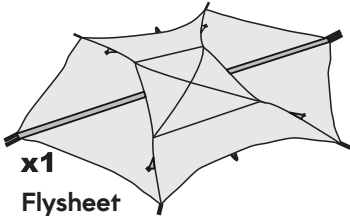
**A** x2



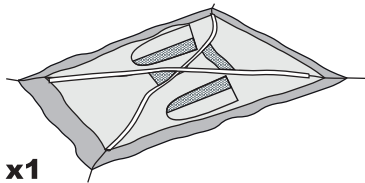
**B** x1



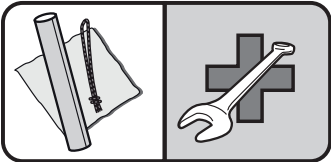
**C** x1



**x1**  
Flysheet

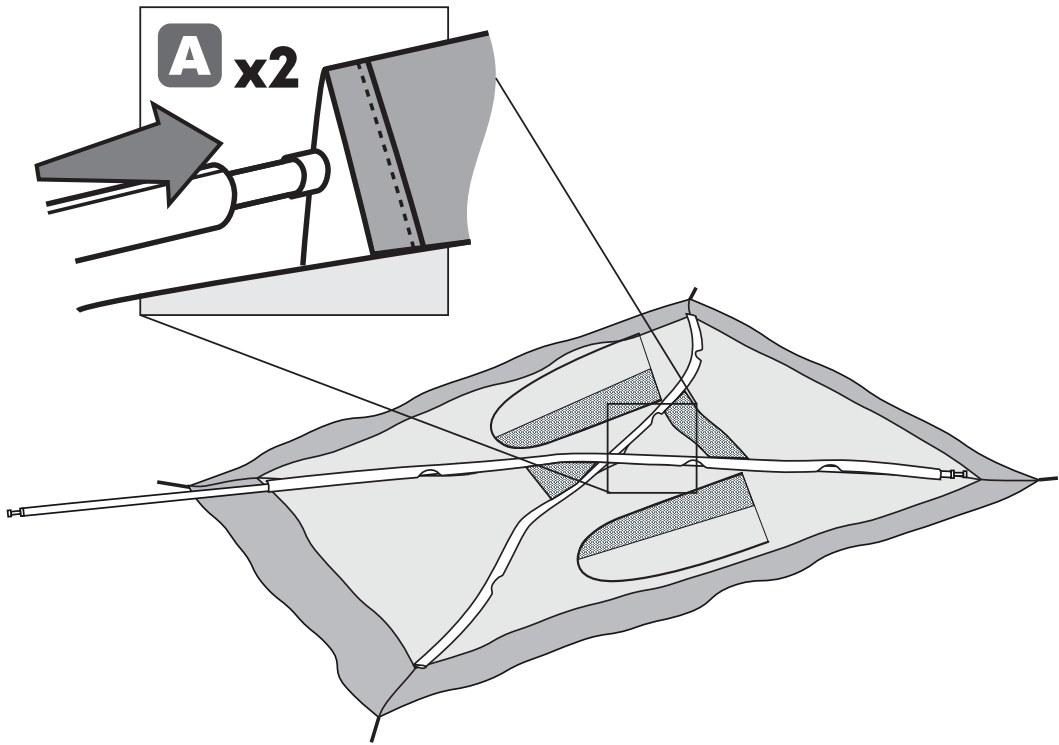


**x1**  
Inner



more info at: [www.ferrino.it](http://www.ferrino.it)

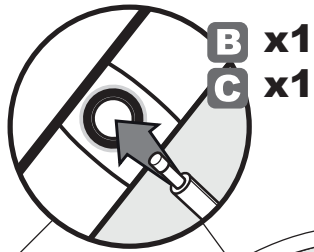
1



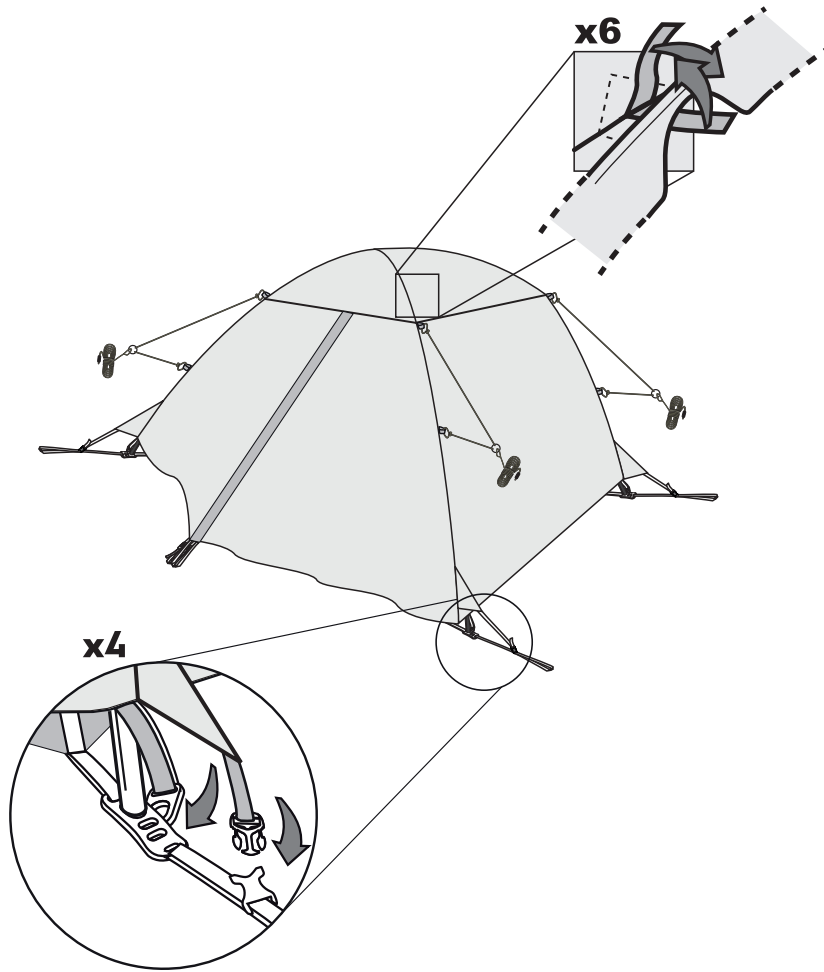
2



**3**



4



5

